

## **Montageanleitung**

**EasyConn Verteiler**

## **Mounting Instructions**

**EasyConn Junction Boxes**

## **Instructions de montage**

**EasyConn Boîtes de dérivation**

## **Monteringsanvisning**

**EasyConn Kopplingsboxar**

## **Montagehandleiding**

**EasyConn Verdeeldozen**

## **Instrucciones de montaje**

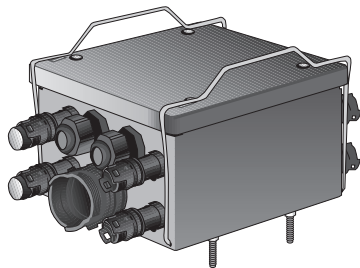
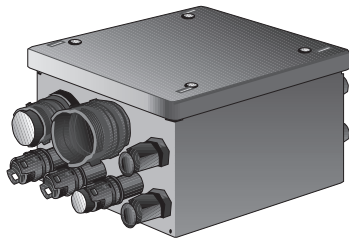
**EasyConn Distribuidores**

## **Istruzioni di montaggio**

**EasyConn Scatole di derivazione**

## **Asennusohje**

**EasyConn Jakorasiat**



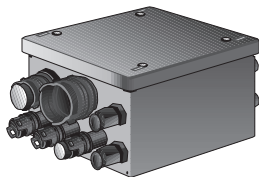


Lieferumfang  
Kit includes  
Furniture

Leveransomfangning  
Inhoud set  
Volumen del suministro

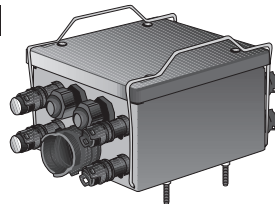
Dotazione di fornitura  
Osaluettelo

**A**



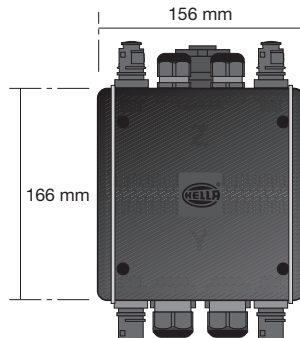
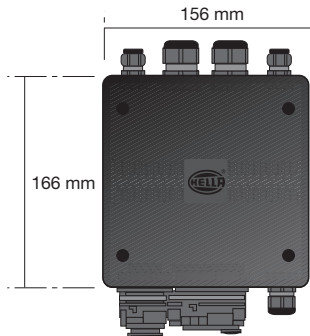
8JE 340 867-001

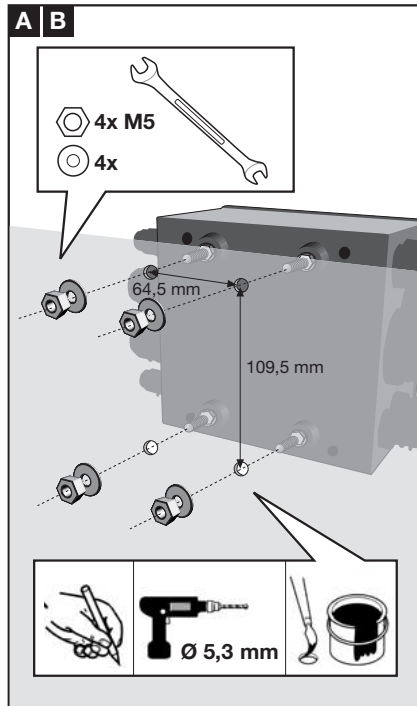
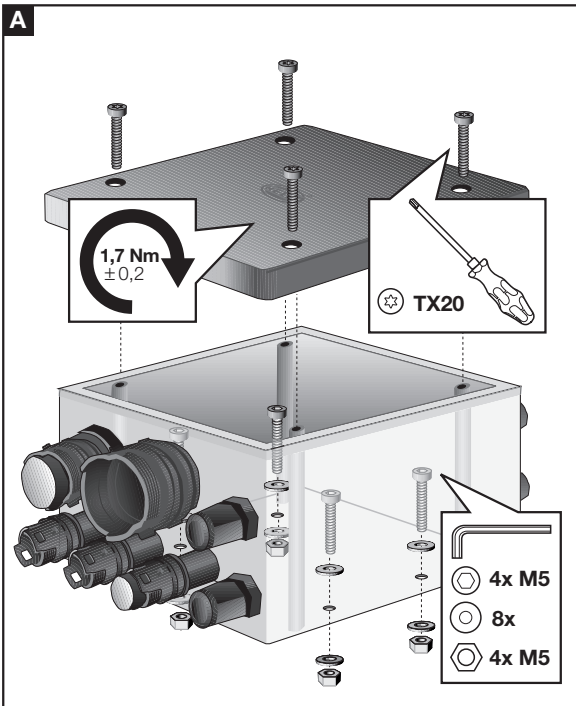
**B**

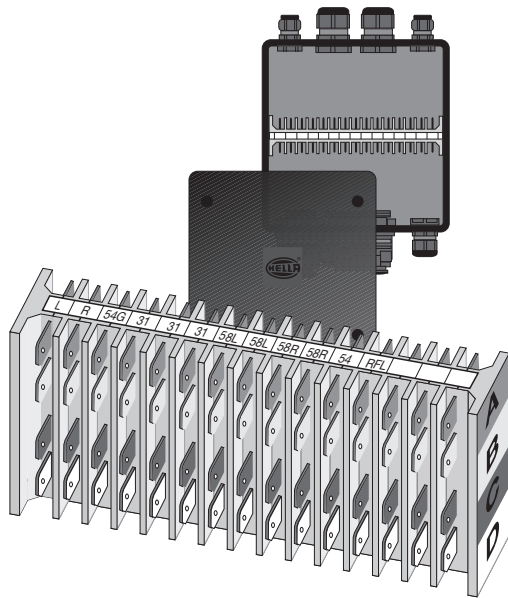
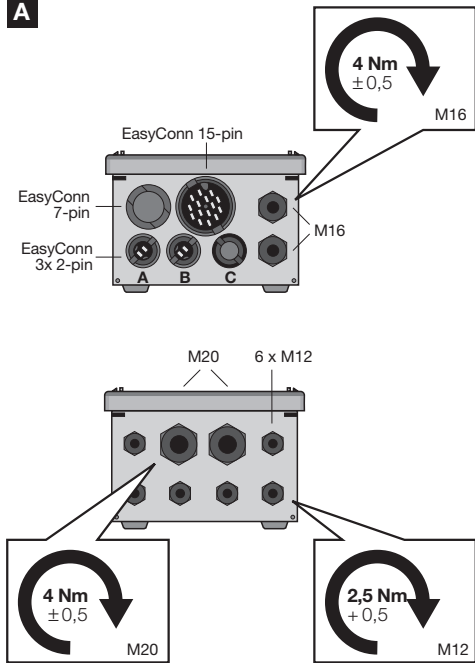


8JE 340 867-011

**3**





**A****5**

## DEUTSCH

|                      | 1                | 2                 | 3                 | 4         | 5      | 6         | 7                  | 8                  | 9                   | 10                  | 11         | 12            | 13     | 14            | 15         |
|----------------------|------------------|-------------------|-------------------|-----------|--------|-----------|--------------------|--------------------|---------------------|---------------------|------------|---------------|--------|---------------|------------|
|                      | L                | R                 | 54G               | 31        | 31     | 31        | 58L                | 58L                | 58R                 | 58R                 | 54         | RFL           |        |               |            |
|                      | Blinklicht links | Blinklicht rechts | Nebelschlusslicht | Masse     | Masse  | Masse     | Schlusslicht links | Schlusslicht links | Schlusslicht rechts | Schlusslicht rechts | Bremslicht | Rückfahrlicht |        |               |            |
| <b>Leitungsfarbe</b> | gelb             | grün              | blau              | weiss     | weiss  | weiss     |                    | schwarz            | braun               | braun               | rot        | pink          | orange | weiss/rot     | weiss/grün |
| <b>Anschluss</b>     | 15-pin           | 15-pin            | 15-pin            | 2-pin (A) | 15-pin | 2-pin (C) |                    | 15-pin             | 15-pin (B)          | 15-pin              | 15-pin     | 15-pin        | 15-pin | 15-pin        | 15-pin     |
| <b>PIN Nummer</b>    | 1                | 2                 | 3                 | 1         | 4      | 1         |                    | 5                  | 2                   | 6                   | 7          | 8             | 9      | 13            | 14         |
| <b>Leitungsfarbe</b> |                  |                   |                   |           | weiss  |           |                    |                    |                     |                     | rot        |               |        |               |            |
| <b>Anschluss</b>     |                  |                   |                   |           | 7-pin  |           |                    |                    |                     |                     | 7-pin      |               |        |               |            |
| <b>PIN Nummer</b>    |                  |                   |                   |           | 7      |           |                    |                    |                     |                     | 6          |               |        |               |            |
| <b>Brücke AB-CD</b>  | ✓                | ✓                 | ✓                 | ✓         | ✓      | ✓         | ✓                  | ✓                  | ✓                   | ✓                   | ✓          | ×             | ×      | ×             | ×          |
| <b>Leitungsfarbe</b> |                  |                   |                   |           | weiss  | weiss     | schwarz            |                    |                     |                     |            |               | grau   |               | weiss/blau |
| <b>Anschluss</b>     |                  |                   |                   |           | Brücke | 2-pin (B) | 2-pin (A)          |                    |                     |                     |            |               | 15-pin |               | 15-pin     |
| <b>PIN Nummer</b>    |                  |                   |                   |           | 1      | 1         | 2                  |                    |                     |                     |            |               | 10     |               | 12         |
| <b>Leitungsfarbe</b> |                  |                   |                   | weiss     | weiss  | weiss     | schwarz            | schwarz            | braun               | braun               |            | weiss/br.     |        | weiss/schwarz | weiss/blau |
| <b>Anschluss</b>     |                  |                   |                   | Brücke    | Brücke | Brücke    | Brücke             | Brücke             | Brücke              | Brücke              |            | 15-pin        |        | 15-pin        | 2-pin (C)  |
| <b>PIN Nummer</b>    |                  |                   |                   | 2         | 2      | 1         | 3                  | 3                  | 4                   | 4                   |            | 15            |        | 11            | 2          |

6

## ENGLISH

|                     | 1                        | 2                         | 3              | 4      | 5         | 6         | 7               | 8               | 9                | 10               | 11         | 12              | 13     | 14          | 15          |
|---------------------|--------------------------|---------------------------|----------------|--------|-----------|-----------|-----------------|-----------------|------------------|------------------|------------|-----------------|--------|-------------|-------------|
|                     | L                        | R                         | 54G            | 31     | 31        | 31        | 58L             | 58L             | 58R              | 58R              | 54         | RFL             |        |             |             |
|                     | Direction indicator left | Direction indicator right | Rear fog light | Ground | Ground    | Ground    | Tail light left | Tail light left | Tail light right | Tail light right | Stop light | Reversing light |        |             |             |
| <b>A</b>            | Wire colour              | yellow                    | green          | blue   | white     | white     | white           | black           | brown            | brown            | red        | pink            | orange | white/red   | white/green |
|                     | Connection               | 15-pin                    | 15-pin         | 15-pin | 2-pin (A) | 15-pin    | 2-pin (C)       | 15-pin          | 15-pin (B)       | 15-pin           | 15-pin     | 15-pin          | 15-pin | 15-pin      | 15-pin      |
|                     | PIN number               | 1                         | 2              | 3      | 1         | 4         | 1               | 5               | 2                | 6                | 7          | 8               | 9      | 13          | 14          |
| <b>B</b>            | Wire colour              |                           |                |        | white     |           |                 |                 |                  |                  | red        |                 |        |             |             |
|                     | Connection               |                           |                |        | 7-pin     |           |                 |                 |                  |                  | 7-pin      |                 |        |             |             |
|                     | PIN number               |                           |                |        | 7         |           |                 |                 |                  |                  | 6          |                 |        |             |             |
| <b>Bridge AB-CD</b> | ✓                        | ✓                         | ✓              | ✓      | ✓         | ✓         | ✓               | ✓               | ✓                | ✓                | ✓          | ×               | ×      | ×           | ×           |
| <b>C</b>            | Wire colour              |                           |                |        | white     | white     | black           |                 |                  |                  |            |                 | grey   |             | white/blue  |
|                     | Connection               |                           |                |        | Bridge    | 2-pin (B) | 2-pin (A)       |                 |                  |                  |            |                 | 15-pin |             | 15-pin      |
|                     | PIN number               |                           |                |        | 1         | 1         | 2               |                 |                  |                  |            |                 | 10     |             | 12          |
| <b>D</b>            | Wire colour              |                           |                | white  | white     | white     | black           | black           | brown            | brown            |            | white/br.       |        | white/black | white/blue  |
|                     | Connection               |                           |                | Bridge | Bridge    | Bridge    | Bridge          | Bridge          | Bridge           | Bridge           |            | 15-pin          |        | 15-pin      | 2-pin (C)   |
|                     | PIN number               |                           |                | 2      | 2         | 1         | 3               | 3               | 4                | 4                |            | 15              |        | 11          | 2           |

## FRANÇAIS

|          | 1                                    | 2                      | 3                         | 4                     | 5                         | 6                      | 7                         | 8                         | 9                        | 10                          | 11                      | 12                     | 13                           | 14                      | 15                            |                                |
|----------|--------------------------------------|------------------------|---------------------------|-----------------------|---------------------------|------------------------|---------------------------|---------------------------|--------------------------|-----------------------------|-------------------------|------------------------|------------------------------|-------------------------|-------------------------------|--------------------------------|
|          | L                                    | R                      | 54G                       | 31                    | 31                        | 31                     | 58L                       | 58L                       | 58R                      | 58R                         | 54                      | RFL                    |                              |                         |                               |                                |
|          | Feu clignotant gauche                | Feu clignotant droit   | Feu arrière de brouillard | Masse                 | Masse                     | Masse                  | Feu de position AR gauche | Feu de position AR gauche | Feu de position AR droit | Feu de position AR droit    | Feu stop                | Feu de recul           |                              |                         |                               |                                |
| <b>A</b> | Couleur de ligne Raccord VOIE numéro | jaune<br>15 voies<br>1 | vert<br>15 voies<br>2     | bleu<br>15 voies<br>3 | blanc<br>2 voies (A)<br>1 | blanc<br>15 voies<br>4 | blanc<br>2 voies (C)<br>1 |                           | noir<br>15 voies<br>5    | marron<br>15 voies (B)<br>2 | marron<br>15 voies<br>6 | rouge<br>15 voies<br>7 | rose<br>15 voies<br>8        | orange<br>15 voies<br>9 | blanc/rouge<br>15 voies<br>13 | blanc/vert<br>15 voies<br>14   |
| <b>B</b> | Couleur de ligne Raccord VOIE numéro |                        |                           |                       |                           | blanc<br>7 voies<br>7  |                           |                           |                          |                             |                         | rouge<br>7 voies<br>6  |                              |                         |                               |                                |
|          | Pont AB-CD                           | ✓                      | ✓                         | ✓                     | ✓                         | ✓                      | ✓                         | ✓                         | ✓                        | ✓                           | ✓                       | ✓                      | ×                            | ×                       | ×                             | ×                              |
| <b>C</b> | Couleur de ligne Raccord VOIE numéro |                        |                           |                       |                           | blanc<br>Pont<br>1     | blanc<br>2 voies (B)<br>1 | noir<br>2 voies (A)<br>2  |                          |                             |                         |                        |                              | gris<br>15 voies<br>10  |                               | blanc/bleu<br>15 voies<br>12   |
| <b>D</b> | Couleur de ligne Raccord VOIE numéro |                        |                           |                       | blanc<br>Pont<br>2        | blanc<br>Pont<br>2     | blanc<br>Pont<br>1        | noir<br>Pont<br>3         | noir<br>Pont<br>3        | marron<br>Pont<br>4         | marron<br>Pont<br>4     |                        | blanc/mar.<br>15 voies<br>15 |                         | blanc/noir<br>15 voies<br>11  | blanc/bleu<br>2 voies (C)<br>2 |

7

## SVENSKA

|          | 1                               | 2                    | 3                     | 4                    | 5                       | 6                    | 7                       | 8                         | 9                      | 10                        | 11                    | 12                   | 13                         | 14                      | 15                         |                             |
|----------|---------------------------------|----------------------|-----------------------|----------------------|-------------------------|----------------------|-------------------------|---------------------------|------------------------|---------------------------|-----------------------|----------------------|----------------------------|-------------------------|----------------------------|-----------------------------|
|          | L                               | R                    | 54G                   | 31                   | 31                      | 31                   | 58L                     | 58L                       | 58R                    | 58R                       | 54                    | RFL                  |                            |                         |                            |                             |
|          | Blinker vänster                 | Blinker höger        | Dimbakljus            | Jord                 | Jord                    | Jord                 | Bakljus vänster         | Bakljus vänster           | Bakljus höger          | Bakljus höger             | Bromsljus             | Backljus             |                            |                         |                            |                             |
| <b>A</b> | Kabelfärg Anslutning PIN-nummer | gul<br>15-polig<br>1 | grön<br>15-polig<br>2 | blå<br>15-polig<br>3 | vit<br>2-polig (A)<br>1 | vit<br>15-polig<br>4 | vit<br>2-polig (C)<br>1 |                           | svart<br>15-polig<br>5 | brun<br>15-polig (B)<br>2 | brun<br>15-polig<br>6 | röd<br>15-polig<br>7 | rosa<br>15-polig<br>8      | orange<br>15-polig<br>9 | vit/röd<br>15-polig<br>13  | vit/grön<br>15-polig<br>14  |
| <b>B</b> | Kabelfärg Anslutning PIN-nummer |                      |                       |                      |                         | vit<br>7-polig<br>7  |                         |                           |                        |                           |                       | röd<br>7-polig<br>6  |                            |                         |                            |                             |
|          | Brygga AB-CD                    | ✓                    | ✓                     | ✓                    | ✓                       | ✓                    | ✓                       | ✓                         | ✓                      | ✓                         | ✓                     | ✓                    | ×                          | ×                       | ×                          | ×                           |
| <b>C</b> | Kabelfärg Anslutning PIN-nummer |                      |                       |                      |                         | vit<br>Brygga<br>1   | vit<br>2-polig (B)<br>2 | svart<br>2-polig (A)<br>2 |                        |                           |                       |                      |                            | grå<br>15-polig<br>10   |                            | vit/blå<br>15-polig<br>12   |
| <b>D</b> | Kabelfärg Anslutning PIN-nummer |                      |                       |                      | vit<br>Brygga<br>2      | vit<br>Brygga<br>2   | vit<br>Brygga<br>1      | svart<br>Brygga<br>3      | svart<br>Brygga<br>3   | brun<br>Brygga<br>4       | brun<br>Brygga<br>4   |                      | vit/brun<br>15-polig<br>15 |                         | vit/brun<br>15-polig<br>11 | vit/blå<br>2-polig (C)<br>2 |

## DUTCH

|          | 1   | 2                   | 3                | 4               | 5            | 6               | 7                 | 8                 | 9                  | 10                 | 11            | 12                  | 13              | 14                  | 15                    |
|----------|---|---------------------|------------------|-----------------|--------------|-----------------|-------------------|-------------------|--------------------|--------------------|---------------|---------------------|-----------------|---------------------|-----------------------|
|          | L   | R                   | 54G              | 31              | 31           | 31              | 58L               | 58L               | 58R                | 58R                | 54            | RFL                 |                 |                     |                       |
|          | Knipperlicht links                                | Knipperlicht rechts | Mist-achterlicht | Massa           | Massa        | Massa           | Achterlicht links | Achterlicht links | Achterlicht rechts | Achterlicht rechts | Remlicht      | Achteruitrijdlicht  |                 |                     |                       |
| <b>A</b> | Aderkleur Aansluiting PIN-nummer<br>geel 15-pin 1 | groen 15-pin 2      | blauw 15-pin 3   | wit 2-pin (A) 1 | wit 15-pin 4 | wit 2-pin (C) 1 |                   | zwart 15-pin 5    | bruin 15-pin (B) 2 | bruin 15-pin 6     | rood 15-pin 7 | roze 15-pin 8       | oranje 15-pin 9 | wit/rood 15-pin 13  | wit/groen 15-pin 14   |
| <b>B</b> | Aderkleur Aansluiting PIN-nummer                  |                     |                  |                 | wit 7-pin 7  |                 |                   |                   |                    |                    | rood 7-pin 6  |                     |                 |                     |                       |
|          | Brug AB-CD  | ✓                   | ✓                | ✓               | ✓            | ✓               | ✓                 | ✓                 | ✓                  | ✓                  | ✓             | ×                   | ×               | ×                   | ×                     |
| <b>C</b> | Aderkleur Aansluiting PIN-nummer                  |                     |                  |                 | wit Brug 1   | wit 2-pin (B) 1 | zwart 2-pin (A) 2 |                   |                    |                    |               |                     | grijs 15-pin 10 |                     | wit/blauw 15-pin 12   |
| <b>D</b> | Aderkleur Aansluiting PIN-nummer                  |                     |                  | wit Brug 2      | wit Brug 2   | wit Brug 1      | zwart Brug 3      | zwart Brug 3      | bruin Brug 4       | bruin Brug 4       |               | wit/bruin 15-pin 15 |                 | wit/zwart 15-pin 11 | wit/blauw 2-pin (C) 2 |

8

## ESPAÑOL

|          | 1  | 2                    | 3                      | 4                    | 5                 | 6                    | 7                     | 8                     | 9                     | 10                  | 11              | 12                      | 13                 | 14                       | 15                        |
|----------|--|----------------------|------------------------|----------------------|-------------------|----------------------|-----------------------|-----------------------|-----------------------|---------------------|-----------------|-------------------------|--------------------|--------------------------|---------------------------|
|          | L  | R                    | 54G                    | 31                   | 31                | 31                   | 58L                   | 58L                   | 58R                   | 58R                 | 54              | RFL                     |                    |                          |                           |
|          | Intermitente izquierdo                                     | Intermitente derecho | Luz antiniebla trasera | Masa                 | Masa              | Masa                 | Luz trasera izquierda | Luz trasera izquierda | Luz trasera derecha   | Luz trasera derecha | Luz de freno    | Luz de marcha atrás     |                    |                          |                           |
| <b>A</b> | Color del cable Conexión PIN número<br>amarillo 15 pines 1 | verde 15 pines 2     | azul 15 pines 3        | blanco 2 pines (A) 1 | blanco 15 pines 4 | blanco 2 pines (C) 1 |                       | negro 15 pines 5      | marrón 15 pines (B) 2 | marrón 15 pines 6   | rojo 15 pines 7 | rosa 15 pines 8         | naranja 15 pines 9 | blanco/rojo 15 pines 13  | blanco/verde 15 pines 14  |
| <b>B</b> | Color del cable Conexión PIN número                        |                      |                        |                      | blanco 7 pines 7  |                      |                       |                       |                       |                     | rojo 7 pines 6  |                         |                    |                          |                           |
|          | Puente AB-CD   | ✓                    | ✓                      | ✓                    | ✓                 | ✓                    | ✓                     | ✓                     | ✓                     | ✓                   | ✓               | ×                       | ×                  | ×                        | ×                         |
| <b>C</b> | Color del cable Conexión PIN número                        |                      |                        |                      | blanco Puente 1   | blanco 2 pines (B) 2 | negro 2 pines (A) 2   |                       |                       |                     |                 |                         | gris 15 pines 10   |                          | blanco/azul 15 pines 12   |
| <b>D</b> | Color del cable Conexión PIN número                        |                      |                        | blanco Puente 2      | blanco Puente 2   | blanco Puente 1      | negro Puente 3        | negro Puente 3        | marrón Puente 4       | marrón Puente 4     |                 | blanco/mar. 15 pines 15 |                    | blanco/negro 15 pines 11 | blanco/azul 2 pines (C) 2 |



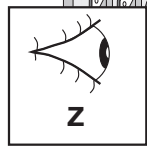
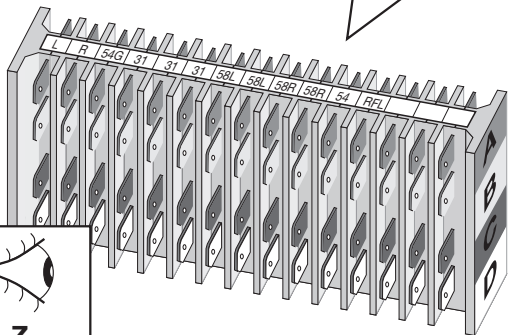
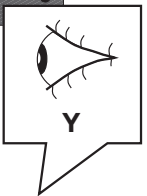
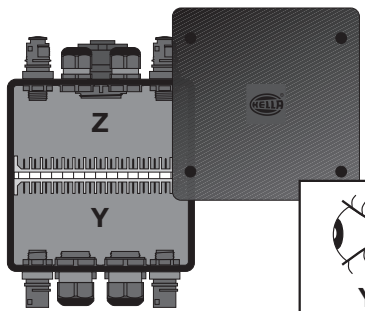
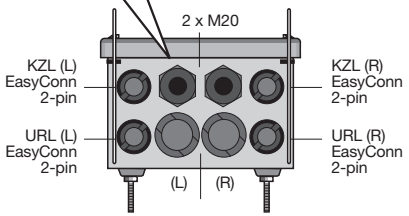
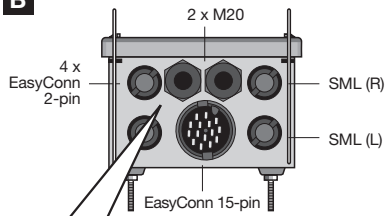
## ITALIANO

|          |                                       | 1                                | 2                              | 3                      | 4                        | 5                     | 6                        | 7                                     | 8                                     | 9                                   | 10                                  | 11                   | 12                          | 13                     | 14                           | 15                            |
|----------|---------------------------------------|----------------------------------|--------------------------------|------------------------|--------------------------|-----------------------|--------------------------|---------------------------------------|---------------------------------------|-------------------------------------|-------------------------------------|----------------------|-----------------------------|------------------------|------------------------------|-------------------------------|
|          |                                       | L                                | R                              | 54G                    | 31                       | 31                    | 31                       | 58L                                   | 58L                                   | 58R                                 | 58R                                 | 54                   | RFL                         |                        |                              |                               |
|          |                                       | Indicatore di direzione sinistro | Indicatore di direzione destro | Retronebbia            | Massa                    | Massa                 | Massa                    | Luce di posizione posteriore sinistra | Luce di posizione posteriore sinistra | Luce di posizione posteriore destra | Luce di posizione posteriore destra | Luce stop            | Luce di retro-marcia        |                        |                              |                               |
| <b>A</b> | Colore cavo<br>Raccordo<br>Numero PIN | giallo<br>15-pin<br>1            | verde<br>15-pin<br>2           | azzurro<br>15-pin<br>3 | bianco<br>2-pin (A)<br>1 | bianco<br>15-pin<br>4 | bianco<br>2-pin (C)<br>1 |                                       | nero<br>15-pin<br>5                   | marrone<br>15-pin (B)<br>2          | marrone<br>15-pin<br>6              | rosso<br>15-pin<br>7 | rosa<br>15-pin<br>8         | arancio<br>15-pin<br>9 | bianco/rosso<br>15-pin<br>13 | bianco/verde<br>15-pin<br>14  |
| <b>B</b> | Colore cavo<br>Raccordo<br>Numero PIN |                                  |                                |                        |                          | bianco<br>7-pin<br>7  |                          |                                       |                                       |                                     |                                     | rosso<br>7-pin<br>6  |                             |                        |                              |                               |
|          | Ponte AB-CD                           | ✓                                | ✓                              | ✓                      | ✓                        | ✓                     | ✓                        | ✓                                     | ✓                                     | ✓                                   | ✓                                   | ✓                    | ×                           | ×                      | ×                            | ×                             |
| <b>C</b> | Colore cavo<br>Raccordo<br>Numero PIN |                                  |                                |                        |                          | bianco<br>Ponte<br>1  | bianco<br>2-pin (B)<br>1 | nero<br>2-pin (A)<br>2                |                                       |                                     |                                     |                      |                             | grigio<br>15-pin<br>10 |                              | bianco/azz.<br>15-pin<br>12   |
| <b>D</b> | Colore cavo<br>Raccordo<br>Numero PIN |                                  |                                |                        | bianco<br>Ponte<br>2     | bianco<br>Ponte<br>2  | bianco<br>Ponte<br>1     | nero<br>Ponte<br>3                    | nero<br>Ponte<br>3                    | marrone<br>Ponte<br>4               | marrone<br>Ponte<br>4               |                      | bianco/mar.<br>15-pin<br>15 |                        | bianco/nero<br>15-pin<br>11  | bianco/azz.<br>2-pin (C)<br>2 |

9

## SUOMI

|          |  | 1                        | 2                     | 3                      | 4                           | 5                        | 6                           | 7                       | 8                    | 9                         | 10                    | 11                      | 12                           | 13                     | 14                             | 15                              |
|----------|--|--------------------------|-----------------------|------------------------|-----------------------------|--------------------------|-----------------------------|-------------------------|----------------------|---------------------------|-----------------------|-------------------------|------------------------------|------------------------|--------------------------------|---------------------------------|
|          |  | L                        | R                     | 54G                    | 31                          | 31                       | 31                          | 58L                     | 58L                  | 58R                       | 58R                   | 54                      | RFL                          |                        |                                |                                 |
|          |  | Suuntavilkku vas.        | Suuntavilkku oik.     | Taka-sumuvalo          | Maadoitus                   | Maadoitus                | Maadoitus                   | Perävalo vas.           | Perävalo vas.        | Perävalo oik.             | Perävalo oik.         | Jarruvalo               | Peruutusvalo                 |                        |                                |                                 |
| <b>A</b> | Johdon väri<br>Liittäntä<br>PIN-numero | keltainen<br>15-pin<br>1 | vihreä<br>15-pin<br>2 | sininen<br>15-pin<br>3 | valkoinen<br>2-pin (A)<br>1 | valkoinen<br>15-pin<br>4 | valkoinen<br>2-pin (C)<br>1 |                         | musta<br>15-pin<br>5 | ruskea<br>15-pin (B)<br>2 | ruskea<br>15-pin<br>6 | punainen<br>15-pin<br>7 | pinkki<br>15-pin<br>8        | oranssi<br>15-pin<br>9 | valk./punainen<br>15-pin<br>13 | valk./vihreä<br>15-pin<br>14    |
| <b>B</b> | Johdon väri<br>Liittäntä<br>PIN-numero |                          |                       |                        |                             | valkoinen<br>7-pin<br>7  |                             |                         |                      |                           |                       | punainen<br>7-pin<br>6  |                              |                        |                                |                                 |
|          | Silta AB-CD                            | ✓                        | ✓                     | ✓                      | ✓                           | ✓                        | ✓                           | ✓                       | ✓                    | ✓                         | ✓                     | ✓                       | ×                            | ×                      | ×                              | ×                               |
| <b>C</b> | Johdon väri<br>Liittäntä<br>PIN-numero |                          |                       |                        |                             | valkoinen<br>Silta<br>1  | valkoinen<br>2-pin (B)<br>1 | musta<br>2-pin (A)<br>2 |                      |                           |                       |                         |                              | harmaa<br>15-pin<br>10 |                                | valk./sininen<br>15-pin<br>12   |
| <b>D</b> | Johdon väri<br>Liittäntä<br>PIN-numero |                          |                       |                        | valkoinen<br>Silta<br>2     | valkoinen<br>Silta<br>2  | valkoinen<br>Silta<br>1     | musta<br>Silta<br>3     | musta<br>Silta<br>3  | ruskea<br>Silta<br>4      | ruskea<br>Silta<br>4  |                         | valk./ruskea<br>15-pin<br>15 |                        | valk./musta<br>15-pin<br>11    | valk./sininen<br>2-pin (C)<br>2 |

**B**

10

# DEUTSCH



**Z**

|          | 1                                  | 2                 | 3                 | 4               | 5              | 6               | 7                  | 8                  | 9                   | 10                  | 11             | 12              | 13              | 14                   | 15                    |
|----------|------------------------------------|-------------------|-------------------|-----------------|----------------|-----------------|--------------------|--------------------|---------------------|---------------------|----------------|-----------------|-----------------|----------------------|-----------------------|
|          | L                                  | R                 | 54G               | 31              | 31             | 31              | 58L                | 58L                | 58R                 | 58R                 | 54             | RFL             |                 |                      |                       |
|          | Blinklicht links                   | Blinklicht rechts | Nebelschlusslicht | Masse           | Masse          | Masse           | Schlusslicht links | Schlusslicht links | Schlusslicht rechts | Schlusslicht rechts | Bremslicht     | Rückfahrlicht   |                 |                      |                       |
| <b>A</b> | Leitungsfarbe Anschluss PIN Nummer |                   |                   |                 |                |                 |                    |                    |                     |                     |                |                 | grau 15-pin 10  | weiss/blau 15-pin 12 | weiss/grün 15-pin 14  |
| <b>B</b> | Leitungsfarbe Anschluss PIN Nummer |                   |                   | weiss SML (R) 1 |                |                 |                    |                    |                     | braun SML (R) 2     |                | pink 15-pin 8   |                 |                      |                       |
|          | Brücke AB-CD                       | ✓                 | ✓                 | ✓               | ✓              | ✓               | ✓                  | ✓                  | ✓                   | ✓                   | ✓              | ×               | ×               | ×                    | ×                     |
| <b>C</b> | Leitungsfarbe Anschluss PIN Nummer |                   |                   | weiss 15-pin 4  | weiss Brücke 1 | weiss SML (L) 1 | schwarz SML (L) 2  | schwarz 15-pin 5   | braun 15-pin 6      |                     |                | orange 15-pin 9 | ws/sw 15-pin 11 | weiss/rot 15-pin 13  |                       |
| <b>D</b> | Leitungsfarbe Anschluss PIN Nummer | gelb 15-pin 1     | grün 15-pin 2     | blau 15-pin 3   | weiss Brücke 2 | weiss Brücke 2  | weiss Brücke 1     | schwarz Brücke 3   | schwarz Brücke 3    | braun Brücke 4      | braun Brücke 4 | rot 15-pin 7    |                 |                      | weiss/braun 15-pin 15 |



**Y**

|          | 15                                 | 14 | 13 | 12               | 11              | 10                  | 9                   | 8                   | 7                  | 6               | 5                 | 4                 | 3                | 2                 | 1                |
|----------|------------------------------------|----|----|------------------|-----------------|---------------------|---------------------|---------------------|--------------------|-----------------|-------------------|-------------------|------------------|-------------------|------------------|
|          |                                    |    |    | RFL              | 54              | 58R                 | 58R                 | 58L                 | 58L                | 31              | 31                | 31                | 54G              | R                 | L                |
|          |                                    |    |    | Rückfahrlicht    | Bremsrechts     | Schlusslicht rechts | Schlusslicht rechts | Schlusslicht links  | Schlusslicht links | Masse           | Masse             | Masse             | Nebelschluss     | Blinklicht rechts | Blinklicht links |
| <b>A</b> | Leitungsfarbe Anschluss PIN Nummer |    |    | pink 7-pin (R) 4 |                 |                     |                     |                     |                    |                 |                   |                   |                  |                   |                  |
| <b>B</b> | Leitungsfarbe Anschluss PIN Nummer |    |    | pink 7-pin (L) 4 |                 |                     |                     |                     |                    |                 |                   |                   |                  |                   |                  |
|          | Brücke AB-CD                       | ×  | ×  | ×                | ×               | ✓                   | ✓                   | ✓                   | ✓                  | ✓               | ✓                 | ✓                 | ✓                | ✓                 | ✓                |
| <b>C</b> | Leitungsfarbe Anschluss PIN Nummer |    |    |                  | rot 7-pin (R) 2 | braun 7-pin (L) 5   | braun KZL (R) 2     | schwarz 7-pin (R) 5 | schwarz KZL (L) 2  | weiss KZL (L) 1 | weiss 7-pin (L) 1 | weiss 7-pin (R) 1 | blau 7-pin (R) 6 |                   |                  |
| <b>D</b> | Leitungsfarbe Anschluss PIN Nummer |    |    |                  | rot 7-pin (L) 2 | braun 7-pin (R) 3   | braun URL (R) 2     | schwarz 7-pin (L) 3 | schwarz URL (L) 2  | weiss URL (L) 1 | weiss URL (R) 1   | weiss KZL (R) 1   | blau 7-pin (L) 6 | grün 7-pin (R) 7  | gelb 7-pin (L) 7 |

**ENGLISH**

**Z**

|          | 1                        | 2                         | 3              | 4       | 5      | 6       | 7               | 8               | 9                | 10               | 11         | 12              | 13         | 14         | 15          |
|----------|--------------------------|---------------------------|----------------|---------|--------|---------|-----------------|-----------------|------------------|------------------|------------|-----------------|------------|------------|-------------|
|          | L                        | R                         | 54G            | 31      | 31     | 31      | 58L             | 58L             | 58R              | 58R              | 54         | RFL             |            |            |             |
|          | Direction indicator left | Direction indicator right | Rear fog light | Ground  | Ground | Ground  | Tail light left | Tail light left | Tail light right | Tail light right | Stop light | Reversing light |            |            |             |
| <b>A</b> | Wire Colour              |                           |                |         |        |         |                 |                 |                  |                  |            |                 | grey       | white/blue | white/green |
|          | Connection               |                           |                |         |        |         |                 |                 |                  |                  |            |                 | 15-pin     | 15-pin     | 15-pin      |
|          | PIN number               |                           |                |         |        |         |                 |                 |                  |                  |            |                 | 10         | 12         | 14          |
| <b>B</b> | Wire Colour              |                           |                | white   |        |         |                 |                 |                  | brown            |            | pink            |            |            |             |
|          | Connection               |                           |                | SML (R) |        |         |                 |                 |                  | SML (R)          |            | 15-pin          |            |            |             |
|          | PIN number               |                           |                | 1       |        |         |                 |                 |                  | 2                |            | 8               |            |            |             |
|          | Bridge AB-CD             | ✓                         | ✓              | ✓       | ✓      | ✓       | ✓               | ✓               | ✓                | ✓                | ✓          | ×               | ×          | ×          | ×           |
| <b>C</b> | Wire Colour              |                           |                | white   | white  | white   | black           | black           | brown            |                  |            | orange          | white/blk. | white/red  |             |
|          | Connection               |                           |                | 15-pin  | Bridge | SML (L) | SML (L)         | 15-pin          | 15-pin           |                  |            | 15-pin          | 15-pin     | 15-pin     |             |
|          | PIN number               |                           |                | 4       | 1      | 1       | 2               | 5               | 6                |                  |            | 9               | 11         | 13         |             |
| <b>D</b> | Wire Colour              | yellow                    | green          | blue    | white  | white   | black           | black           | brown            | brown            | red        |                 |            |            | white/brown |
|          | Connection               | 15-pin                    | 15-pin         | 15-pin  | Bridge | Bridge  | Bridge          | Bridge          | Bridge           | Bridge           | 15-pin     |                 |            |            | 15-pin      |
|          | PIN number               | 1                         | 2              | 3       | 2      | 2       | 3               | 3               | 4                | 4                | 7          |                 |            |            | 15          |


**Y**

|          | 15           | 14 | 13 | 12              | 11         | 10               | 9                | 8               | 7               | 6       | 5         | 4         | 3              | 2                         | 1                        |
|----------|--------------|----|----|-----------------|------------|------------------|------------------|-----------------|-----------------|---------|-----------|-----------|----------------|---------------------------|--------------------------|
|          |              |    |    | RFL             | 54         | 58R              | 58R              | 58L             | 58L             | 31      | 31        | 31        | 54G            | R                         | L                        |
|          |              |    |    | Reversing light | Stop light | Tail light right | Tail light right | Tail light left | Tail light left | Ground  | Ground    | Ground    | Rear fog light | Direction indicator right | Direction indicator left |
| <b>A</b> | Wire Colour  |    |    | pink            |            |                  |                  |                 |                 |         |           |           |                |                           |                          |
|          | Connection   |    |    | 7-pin (R)       |            |                  |                  |                 |                 |         |           |           |                |                           |                          |
|          | PIN number   |    |    | 4               |            |                  |                  |                 |                 |         |           |           |                |                           |                          |
| <b>B</b> | Wire Colour  |    |    | pink            |            |                  |                  |                 |                 |         |           |           |                |                           |                          |
|          | Connection   |    |    | 7-pin (L)       |            |                  |                  |                 |                 |         |           |           |                |                           |                          |
|          | PIN number   |    |    | 4               |            |                  |                  |                 |                 |         |           |           |                |                           |                          |
|          | Bridge AB-CD | ×  | ×  | ×               | ×          | ✓                | ✓                | ✓               | ✓               | ✓       | ✓         | ✓         | ✓              | ✓                         | ✓                        |
| <b>C</b> | Wire Colour  |    |    |                 | red        | brown            | brown            | black           | black           | white   | white     | white     | blue           |                           |                          |
|          | Connection   |    |    |                 | 7-pin (R)  | 7-pin (L)        | KZL (R)          | 7-pin (R)       | KZL (L)         | KZL (L) | 7-pin (L) | 7-pin (R) | 7-pin (R)      |                           |                          |
|          | PIN number   |    |    |                 | 2          | 5                | 2                | 5               | 2               | 1       | 1         | 1         | 6              |                           |                          |
| <b>D</b> | Wire Colour  |    |    |                 | red        | brown            | brown            | black           | black           | white   | white     | white     | blue           | green                     | yellow                   |
|          | Connection   |    |    |                 | 7-pin (L)  | 7-pin (R)        | URL (R)          | 7-pin (L)       | URL (L)         | URL (L) | URL (R)   | KZL (R)   | 7-pin (L)      | 7-pin (R)                 | 7-pin (L)                |
|          | PIN number   |    |    |                 | 2          | 3                | 2                | 3               | 2               | 1       | 1         | 1         | 6              | 7                         | 7                        |

# FRANÇAIS



## Z

|          | 1                                       | 2                    | 3                         | 4                      | 5                     | 6                      | 7                         | 8                         | 9                        | 10                       | 11                      | 12                    | 13                      | 14                           | 15                            |                                |
|----------|---|----------------------|---------------------------|------------------------|-----------------------|------------------------|---------------------------|---------------------------|--------------------------|--------------------------|-------------------------|-----------------------|-------------------------|------------------------------|-------------------------------|--------------------------------|
|          | L                                       | R                    | 54G                       | 31                     | 31                    | 31                     | 58L                       | 58L                       | 58R                      | 58R                      | 54                      | RFL                   |                         |                              |                               |                                |
|          | Feu clignotant gauche                   | Feu clignotant droit | Feu arrière de brouillard | Masse                  | Masse                 | Masse                  | Feu de position AR gauche | Feu de position AR gauche | Feu de position AR droit | Feu de position AR droit | Feu stop                | Feu de recul          |                         |                              |                               |                                |
| <b>A</b> | Couleur de ligne Raccord<br>VOIE numéro |                      |                           |                        |                       |                        |                           |                           |                          |                          |                         |                       | gris<br>15 voies<br>10  | blanc/bleu<br>15 voies<br>12 | blanc/verte<br>15 voies<br>14 |                                |
| <b>B</b> | Couleur de ligne Raccord<br>VOIE numéro |                      |                           |                        |                       | blanc<br>SML (R)<br>1  |                           |                           |                          | marron<br>SML (R)<br>2   |                         | rose<br>15 voies<br>8 |                         |                              |                               |                                |
|          | Pont AB-CD                              |                      |                           | ✓                      | ✓                     | ✓                      | ✓                         | ✓                         | ✓                        | ✓                        | ✓                       | ×                     | ×                       | ×                            | ×                             |                                |
| <b>C</b> | Couleur de ligne Raccord<br>VOIE numéro |                      |                           |                        |                       | blanc<br>15 voies<br>4 | blanc<br>Pont<br>1        | blanc<br>SML (L)<br>1     | noir<br>SML (L)<br>2     | noir<br>15 voies<br>5    | marron<br>15 voies<br>6 |                       | orange<br>15 voies<br>9 | blanc/nr.<br>15 voies<br>11  | blanc/rouge<br>15 voies<br>13 |                                |
| <b>D</b> | Couleur de ligne Raccord<br>VOIE numéro |                      |                           | jaune<br>15 voies<br>1 | vert<br>15 voies<br>2 | bleu<br>15 voies<br>3  | blanc<br>Pont<br>2        | blanc<br>Pont<br>2        | blanc<br>Pont<br>1       | noir<br>Pont<br>3        | noir<br>Pont<br>3       | marron<br>Pont<br>4   | marron<br>Pont<br>4     | rouge<br>15 voies<br>7       |                               | blanc/marron<br>15 voies<br>15 |



## Y

|          | 15                                      | 14 | 13 | 12           | 11       | 10                        | 9                          | 8                         | 7                         | 6                    | 5                     | 4                         | 3                         | 2                        | 1                        |                           |
|----------|---|----|----|--------------|----------|---------------------------|----------------------------|---------------------------|---------------------------|----------------------|-----------------------|---------------------------|---------------------------|--------------------------|--------------------------|---------------------------|
|          |   |    |    | RFL          | 54       | 58R                       | 58R                        | 58L                       | 58L                       | 31                   | 31                    | 31                        | 54G                       | R                        | L                        |                           |
|          |   |    |    | Feu de recul | Feu stop | Feu de position AR droit  | Feu de position AR droit   | Feu de position AR gauche | Feu de position AR gauche | Masse                | Masse                 | Masse                     | Feu arrière de brouillard | Feu clignotant droit     | Feu clignotant gauche    |                           |
| <b>A</b> | Couleur de ligne Raccord<br>VOIE numéro |    |    |              |          | rose<br>7 voies (L)<br>4  |                            |                           |                           |                      |                       |                           |                           |                          |                          |                           |
| <b>B</b> | Couleur de ligne Raccord<br>VOIE numéro |    |    |              |          | rose<br>7 voies (L)<br>4  |                            |                           |                           |                      |                       |                           |                           |                          |                          |                           |
|          | Pont AB-CD                              |    |    | ×            | ×        | ×                         | ×                          | ✓                         | ✓                         | ✓                    | ✓                     | ✓                         | ✓                         | ✓                        | ✓                        |                           |
| <b>C</b> | Couleur de ligne Raccord<br>VOIE numéro |    |    |              |          | rouge<br>7 voies (R)<br>2 | marron<br>7 voies (L)<br>5 | marron<br>KZL (R)<br>2    | noir<br>7 voies (R)<br>5  | noir<br>KZL (L)<br>2 | blanc<br>KZL (L)<br>1 | blanc<br>7 voies (L)<br>1 | blanc<br>7-voies (R)<br>1 | bleu<br>7 voies (R)<br>6 |                          |                           |
| <b>D</b> | Couleur de ligne Raccord<br>VOIE numéro |    |    |              |          | rouge<br>7 voies (L)<br>2 | marron<br>7 voies (R)<br>3 | marron<br>URL (R)<br>2    | noir<br>7 voies (L)<br>3  | noir<br>URL (L)<br>2 | blanc<br>URL (L)<br>1 | blanc<br>URL (R)<br>1     | blanc<br>KZL (R)<br>1     | bleu<br>7 voies (L)<br>6 | vert<br>7 voies (R)<br>7 | jaune<br>7 voies (L)<br>7 |

**SVENSKA**

**Z**

|          | 1                               | 2              | 3               | 4              | 5            | 6             | 7                | 8                | 9               | 10             | 11            | 12                | 13                    | 14                  | 15                   |
|----------|---------------------------------|----------------|-----------------|----------------|--------------|---------------|------------------|------------------|-----------------|----------------|---------------|-------------------|-----------------------|---------------------|----------------------|
|          | L                               | R              | 54G             | 31             | 31           | 31            | 58L              | 58L              | 58R             | 58R            | 54            | RFL               |                       |                     |                      |
|          | Blinker vänster                 | Blinker höger  | Dimbaktljus     | Jord           | Jord         | Jord          | Baktljus vänster | Baktljus vänster | Baktljus höger  | Baktljus höger | Bromsljus     | Baktljus          |                       |                     |                      |
| <b>A</b> | Kabelfärg Anslutning PIN-nummer |                |                 |                |              |               |                  |                  |                 |                |               |                   | grå 15-polig 10       | vit/blå 15-polig 12 | vit/grön 15-polig 14 |
| <b>B</b> | Kabelfärg Anslutning PIN-nummer |                |                 | vit SML (R) 1  |              |               |                  |                  |                 | brun SML (R) 2 |               | rosa 15-polig 8   |                       |                     |                      |
|          | Brygga AB-CD                    | ✓              | ✓               | ✓              | ✓            | ✓             | ✓                | ✓                | ✓               | ✓              | ✓             | ×                 | ×                     | ×                   | ×                    |
| <b>C</b> | Kabelfärg Anslutning PIN-nummer |                |                 | vit 15-polig 4 | vit Brygga 1 | vit SML (L) 1 | svart SML (L) 2  | svart 15-polig 5 | brun 15-polig 6 |                |               | orange 15-polig 9 | svart/vit 15-polig 11 | vit/röd 15-polig 13 |                      |
| <b>D</b> | Kabelfärg Anslutning PIN-nummer | gul 15-polig 1 | grön 15-polig 2 | blå 15-polig 3 | vit Brygga 2 | vit Brygga 2  | vit Brygga 1     | svart Brygga 3   | svart Brygga 3  | brun Brygga 4  | brun Brygga 4 | röd 15-polig 7    |                       |                     | vit/brun 15-polig 15 |


**Y**

|          | 15                              | 14 | 13 | 12                 | 11                | 10                 | 9              | 8                   | 7                | 6             | 5                 | 4                 | 3                 | 2                  | 1                 |
|----------|---------------------------------|----|----|--------------------|-------------------|--------------------|----------------|---------------------|------------------|---------------|-------------------|-------------------|-------------------|--------------------|-------------------|
|          |                                 |    |    | RFL                | 54                | 58R                | 58R            | 58L                 | 58L              | 31            | 31                | 31                | 54G               | R                  | L                 |
|          |                                 |    |    | Baktljus           | Bromsljus         | Baktljus höger     | Baktljus höger | Baktljus vänster    | Baktljus vänster | Jord          | Jord              | Jord              | Dimbaktljus       | Blinker höger      | Blinker vänster   |
| <b>A</b> | Kabelfärg Anslutning PIN-nummer |    |    | rosa 7-polig (R) 4 |                   |                    |                |                     |                  |               |                   |                   |                   |                    |                   |
| <b>B</b> | Kabelfärg Anslutning PIN-nummer |    |    | rose 7-polig (L) 4 |                   |                    |                |                     |                  |               |                   |                   |                   |                    |                   |
|          | Brygga AB-CD                    | ×  | ×  | ×                  | ✓                 | ✓                  | ✓              | ✓                   | ✓                | ✓             | ✓                 | ✓                 | ✓                 | ✓                  | ✓                 |
| <b>C</b> | Kabelfärg Anslutning PIN-nummer |    |    |                    | röd 7-polig (R) 2 | brun 7-polig (L) 5 | brun KZL (R) 2 | svart 7-polig (R) 2 | svart KZL (L) 2  | vit KZL (L) 1 | vit 7-polig (L) 1 | vit 7-polig (R) 1 | blå 7-polig (R) 6 |                    |                   |
| <b>D</b> | Kabelfärg Anslutning PIN-nummer |    |    |                    | röd 7-polig (L) 2 | brun 7-polig (R) 3 | brun URL (R) 2 | svart 7-polig (L) 3 | svart URL (L) 2  | vit URL (L) 1 | vit URL (R) 1     | vit KZL (R) 1     | blå 7-polig (L) 6 | grön 7-polig (R) 7 | gul 7-polig (L) 7 |

# DUTCH



## Z

|   | 1                                      | 2                   | 3                    | 4                    | 5                | 6                   | 7                     | 8                    | 9                    | 10                    | 11                 | 12                    | 13                        | 14                        | 15                        |
|---|--|---------------------|----------------------|----------------------|------------------|---------------------|-----------------------|----------------------|----------------------|-----------------------|--------------------|-----------------------|---------------------------|---------------------------|---------------------------|
|   | L                                      | R                   | 54G                  | 31                   | 31               | 31                  | 58L                   | 58L                  | 58R                  | 58R                   | 54                 | RFL                   |                           |                           |                           |
|   | Knipperlicht links                     | Knipperlicht rechts | Mistachterlicht      | Massa                | Massa            | Massa               | Achterlicht links     | Achterlicht links    | Achterlicht rechts   | Achterlicht rechts    | Remlicht           | Achteruitrijdlicht    |                           |                           |                           |
| A | Aderkleur<br>Aansluiting<br>PIN-nummer |                     |                      |                      |                  |                     |                       |                      |                      |                       |                    |                       | grijs<br>15-pin<br>10     | wit/blauw<br>15-pin<br>12 | wit/groen<br>15-pin<br>14 |
| B | Aderkleur<br>Aansluiting<br>PIN-nummer |                     |                      | wit<br>SML (R)<br>1  |                  |                     |                       |                      |                      | bruin<br>SML (R)<br>2 |                    | roze<br>15-pin<br>8   |                           |                           |                           |
|   | Brug AB-CD                             | ✓                   | ✓                    | ✓                    | ✓                | ✓                   | ✓                     | ✓                    | ✓                    | ✓                     | ✓                  | ×                     | ×                         | ×                         | ×                         |
| C | Aderkleur<br>Aansluiting<br>PIN-nummer |                     |                      | wit<br>15-pin<br>4   | wit<br>Brug<br>1 | wit<br>SML (L)<br>1 | zwart<br>SML (L)<br>2 | zwart<br>15-pin<br>5 | bruin<br>15-pin<br>6 |                       |                    | oranje<br>15-pin<br>9 | wit/zwart<br>15-pin<br>11 | wit/rood<br>15-pin<br>13  |                           |
| D | Aderkleur<br>Aansluiting<br>PIN-nummer | geel<br>15-pin<br>1 | groen<br>15-pin<br>2 | blauw<br>15-pin<br>3 | wit<br>Brug<br>2 | wit<br>Brug<br>2    | wit<br>Brug<br>1      | zwart<br>Brug<br>3   | zwart<br>Brug<br>3   | bruin<br>Brug<br>4    | bruin<br>Brug<br>4 | rood<br>15-pin<br>7   |                           |                           | wit/bruin<br>15-pin<br>15 |



## Y

|   | 15                                     | 14 | 13 | 12                 | 11                       | 10                      | 9                     | 8                       | 7                     | 6                   | 5                     | 4                     | 3                       | 2                       | 1                      |
|---|--|----|----|--------------------|--------------------------|-------------------------|-----------------------|-------------------------|-----------------------|---------------------|-----------------------|-----------------------|-------------------------|-------------------------|------------------------|
|   |  |    |    | RFL                | 54                       | 58R                     | 58R                   | 58L                     | 58L                   | 31                  | 31                    | 31                    | 54G                     | R                       | L                      |
|   |  |    |    | Achteruitrijdlicht | Remlicht                 | Achterlicht rechts      | Achterlicht rechts    | Achterlicht links       | Achterlicht links     | Massa               | Massa                 | Massa                 | Mistachterlicht         | Knipperlicht rechts     | Knipperlicht links     |
| A | Aderkleur<br>Aansluiting<br>PIN-nummer |    |    |                    | roze<br>7-polig (R)<br>4 |                         |                       |                         |                       |                     |                       |                       |                         |                         |                        |
| B | Aderkleur<br>Aansluiting<br>PIN-nummer |    |    |                    | roze<br>7-polig (L)<br>4 |                         |                       |                         |                       |                     |                       |                       |                         |                         |                        |
|   | Brug AB-CD                             | ×  | ×  | ×                  | ×                        | ✓                       | ✓                     | ✓                       | ✓                     | ✓                   | ✓                     | ✓                     | ✓                       | ✓                       | ✓                      |
| C | Aderkleur<br>Aansluiting<br>PIN-nummer |    |    |                    | rood<br>7-pin (R)<br>2   | bruin<br>7-pin (L)<br>5 | bruin<br>KZL (R)<br>2 | zwart<br>7-pin (R)<br>5 | zwart<br>KZL (L)<br>2 | wit<br>KZL (L)<br>1 | wit<br>7-pin (L)<br>1 | wit<br>7-pin (R)<br>1 | blauw<br>7-pin (R)<br>6 |                         |                        |
| D | Aderkleur<br>Aansluiting<br>PIN-nummer |    |    |                    | rood<br>7-pin (L)<br>2   | bruin<br>7-pin (R)<br>3 | bruin<br>URL (R)<br>2 | zwart<br>7-pin (L)<br>3 | zwart<br>URL (L)<br>2 | wit<br>URL (L)<br>1 | wit<br>URL (R)<br>1   | wit<br>KZL (R)<br>1   | blauw<br>7-pin (L)<br>6 | groen<br>7-pin (R)<br>7 | geel<br>7-pin (L)<br>7 |


**Z**

|          | 1   | 2                        | 3                      | 4                    | 5                      | 6                     | 7                      | 8                     | 9                     | 10                     | 11                    | 12                      | 13                           | 14                           | 15                            |
|----------|---|--------------------------|------------------------|----------------------|------------------------|-----------------------|------------------------|-----------------------|-----------------------|------------------------|-----------------------|-------------------------|------------------------------|------------------------------|-------------------------------|
| <b>L</b> | <b>R</b>                                  | <b>54G</b>               | <b>31</b>              | <b>31</b>            | <b>31</b>              | <b>58L</b>            | <b>58L</b>             | <b>58R</b>            | <b>58R</b>            | <b>54</b>              | <b>RFL</b>            |                         |                              |                              |                               |
|          | Intermitente izquierdo                    | Intermitente derecho     | Luz antiniebla trasera | Masa                 | Masa                   | Masa                  | Luz trasera izquierda  | Luz trasera izquierda | Luz trasera derecha   | Luz trasera derecha    | Luz de freno          | Luz de marcha atrás     |                              |                              |                               |
| <b>A</b> | Color del cable<br>Conexión<br>PIN número |                          |                        |                      |                        |                       |                        |                       |                       |                        |                       |                         | gris<br>15 pins<br>10        | blanco/azul<br>15 pins<br>12 | blanco/verde<br>15 pins<br>14 |
| <b>B</b> | Color del cable<br>Conexión<br>PIN número |                          |                        |                      | blanco<br>SML (R)<br>1 |                       |                        |                       |                       | marrón<br>SML (R)<br>2 |                       | rosa<br>15 pins<br>8    |                              |                              |                               |
|          | Puente AB-CD                              | ✓                        | ✓                      | ✓                    | ✓                      | ✓                     | ✓                      | ✓                     | ✓                     | ✓                      | ✓                     | ×                       | ×                            | ×                            | ×                             |
| <b>C</b> | Color del cable<br>Conexión<br>PIN número |                          |                        |                      | blanco<br>15 pins<br>4 | blanco<br>Puente<br>1 | blanco<br>SML (L)<br>2 | negro<br>SML (L)<br>2 | negro<br>15 pins<br>5 | marrón<br>15 pins<br>6 |                       | naranja<br>15 pins<br>9 | blanco/veg.<br>15 pins<br>11 | blanco/rojo<br>15 pins<br>13 |                               |
| <b>D</b> | Color del cable<br>Conexión<br>PIN número | amarillo<br>15 pins<br>1 | verde<br>15 pins<br>2  | azul<br>15 pins<br>3 | blanco<br>Puente<br>2  | blanco<br>Puente<br>2 | blanco<br>Puente<br>1  | negro<br>Puente<br>3  | negro<br>Puente<br>3  | marrón<br>Puente<br>4  | marrón<br>Puente<br>4 | rojo<br>15 pins<br>7    |                              |                              | blanco/marr.<br>15 pins<br>15 |


**Y**

|          | 15  | 14 | 13 | 12                      | 11                      | 10                        | 9                      | 8                        | 7                     | 6                      | 5                         | 4                         | 3                       | 2                        | 1                           |
|----------|---|----|----|-------------------------|-------------------------|---------------------------|------------------------|--------------------------|-----------------------|------------------------|---------------------------|---------------------------|-------------------------|--------------------------|-----------------------------|
|          |   |    |    | <b>RFL</b>              | <b>54</b>               | <b>58R</b>                | <b>58R</b>             | <b>58L</b>               | <b>58L</b>            | <b>31</b>              | <b>31</b>                 | <b>31</b>                 | <b>54G</b>              | <b>R</b>                 | <b>L</b>                    |
|          |   |    |    | Luz de marcha atrás     | Luz de freno            | Luz trasera derecha       | Luz trasera derecha    | Luz trasera izquierda    | Luz trasera izquierda | Masa                   | Masa                      | Masa                      | Luz antiniebla trasera  | Intermitente derecho     | Intermitente izquierdo      |
| <b>A</b> | Color del cable<br>Conexión<br>PIN número |    |    | rosa<br>7 pins (R)<br>4 |                         |                           |                        |                          |                       |                        |                           |                           |                         |                          |                             |
| <b>B</b> | Color del cable<br>Conexión<br>PIN número |    |    | rosa<br>7 pins (L)<br>4 |                         |                           |                        |                          |                       |                        |                           |                           |                         |                          |                             |
|          | Puente AB-CD                              | ×  | ×  | ×                       | ×                       | ✓                         | ✓                      | ✓                        | ✓                     | ✓                      | ✓                         | ✓                         | ✓                       | ✓                        | ✓                           |
| <b>C</b> | Color del cable<br>Conexión<br>PIN número |    |    |                         | rojo<br>7 pins (R)<br>2 | marrón<br>7 pins (L)<br>5 | marrón<br>KZL (R)<br>2 | negro<br>7 pins (R)<br>5 | negro<br>KZL (L)<br>2 | blanco<br>KZL (L)<br>1 | blanco<br>7 pins (L)<br>1 | blanco<br>7 pins (R)<br>1 | azul<br>7 pins (R)<br>6 |                          |                             |
| <b>D</b> | Color del cable<br>Conexión<br>PIN número |    |    |                         | rojo<br>7 pins (L)<br>2 | marrón<br>7 pins (R)<br>3 | marrón<br>URL (R)<br>2 | negro<br>7 pins (L)<br>3 | negro<br>URL (L)<br>2 | blanco<br>URL (L)<br>1 | blanco<br>URL (R)<br>1    | blanco<br>KZL (R)<br>1    | azul<br>7 pins (L)<br>6 | verde<br>7 pins (R)<br>7 | amarillo<br>7 pins (L)<br>7 |





Z

|             | 1                                     | 2                              | 3                    | 4                      | 5                    | 6                      | 7                                     | 8                                     | 9                                   | 10                                  | 11                    | 12                     | 13                          | 14                           | 15                           |
|-------------|---------------------------------------|--------------------------------|----------------------|------------------------|----------------------|------------------------|---------------------------------------|---------------------------------------|-------------------------------------|-------------------------------------|-----------------------|------------------------|-----------------------------|------------------------------|------------------------------|
|             | L                                     | R                              | 54G                  | 31                     | 31                   | 31                     | 58L                                   | 58L                                   | 58R                                 | 58R                                 | 54                    | RFL                    |                             |                              |                              |
|             | Indicatore di direzione sinistro      | Indicatore di direzione destro | Retronebbia          | Massa                  | Massa                | Massa                  | Luce di posizione posteriore sinistra | Luce di posizione posteriore sinistra | Luce di posizione posteriore destra | Luce di posizione posteriore destra | Luce stop             | Luce di retromarcia    |                             |                              |                              |
| A           | Colore cavo<br>Raccordo<br>Numero PIN |                                |                      |                        |                      |                        |                                       |                                       |                                     |                                     |                       |                        | grigio<br>15-pin<br>10      | bianco/azz.<br>15-pin<br>12  | bianco/verde<br>15-pin<br>14 |
| B           | Colore cavo<br>Raccordo<br>Numero PIN |                                |                      | bianco<br>SML (R)<br>1 |                      |                        |                                       |                                       |                                     | marrone<br>SML (R)<br>2             |                       | rosa<br>15-pin<br>8    |                             |                              |                              |
| Ponte AB-CD | ✓                                     | ✓                              | ✓                    | ✓                      | ✓                    | ✓                      | ✓                                     | ✓                                     | ✓                                   | ✓                                   | ✓                     | ×                      | ×                           | ×                            | ×                            |
| C           | Colore cavo<br>Raccordo<br>Numero PIN |                                |                      | bianco<br>15-pin<br>4  | bianco<br>Ponte<br>1 | bianco<br>SML (L)<br>1 | nero<br>SML (L)<br>2                  | nero<br>15-pin<br>5                   | marrone<br>15-pin<br>6              |                                     |                       | arancio<br>15-pin<br>9 | bianco/hero<br>15-pin<br>11 | bianco/rosso<br>15-pin<br>13 |                              |
| D           | Colore cavo<br>Raccordo<br>Numero PIN | giallo<br>15-pin<br>1          | verde<br>15-pin<br>2 | azzurro<br>15-pin<br>3 | bianco<br>Ponte<br>2 | bianco<br>Ponte<br>2   | bianco<br>Ponte<br>1                  | nero<br>Ponte<br>3                    | nero<br>Ponte<br>3                  | marrone<br>Ponte<br>4               | marrone<br>Ponte<br>4 | rosso<br>15-pin<br>7   |                             |                              | bianco/marr.<br>15-pin<br>15 |



Y

|             | 15                                    | 14 | 13 | 12                     | 11                      | 10                                  | 9                                   | 8                                     | 7                                     | 6                      | 5                        | 4                        | 3                         | 2                              | 1                                |
|-------------|---------------------------------------|----|----|------------------------|-------------------------|-------------------------------------|-------------------------------------|---------------------------------------|---------------------------------------|------------------------|--------------------------|--------------------------|---------------------------|--------------------------------|----------------------------------|
|             |                                       |    |    | RFL                    | 54                      | 58R                                 | 58R                                 | 58L                                   | 58L                                   | 31                     | 31                       | 31                       | 54G                       | R                              | L                                |
|             |                                       |    |    | Luce di retromarcia    | Luce stop               | Luce di posizione posteriore destra | Luce di posizione posteriore destra | Luce di posizione posteriore sinistra | Luce di posizione posteriore sinistra | Massa                  | Massa                    | Massa                    | Retro-nebbia              | Indicatore di direzione destro | Indicatore di direzione sinistro |
| A           | Colore cavo<br>Raccordo<br>Numero PIN |    |    | rosa<br>7-pin (R)<br>4 |                         |                                     |                                     |                                       |                                       |                        |                          |                          |                           |                                |                                  |
| B           | Colore cavo<br>Raccordo<br>Numero PIN |    |    | rosa<br>7-pin (L)<br>4 |                         |                                     |                                     |                                       |                                       |                        |                          |                          |                           |                                |                                  |
| Ponte AB-CD | ×                                     | ×  | ×  | ×                      | ✓                       | ✓                                   | ✓                                   | ✓                                     | ✓                                     | ✓                      | ✓                        | ✓                        | ✓                         | ✓                              | ✓                                |
| C           | Colore cavo<br>Raccordo<br>Numero PIN |    |    |                        | rosso<br>7-pin (R)<br>2 | marrone<br>7-pin (L)<br>5           | marrone<br>KZL (R)<br>2             | nero<br>7-pin (R)<br>5                | nero<br>KZL (L)<br>2                  | bianco<br>KZL (L)<br>1 | bianco<br>7-pin (L)<br>1 | bianco<br>7-pin (R)<br>1 | azzurro<br>7-pin (R)<br>6 |                                |                                  |
| D           | Colore cavo<br>Raccordo<br>Numero PIN |    |    |                        | rosso<br>7-pin (L)<br>2 | marrone<br>7-pin (R)<br>3           | marrone<br>URL (R)<br>2             | nero<br>7-pin (L)<br>3                | nero<br>URL (L)<br>2                  | bianco<br>URL (L)<br>1 | bianco<br>URL (R)<br>1   | bianco<br>KZL (R)<br>1   | azzurro<br>7-pin (L)<br>6 | verde<br>7-pin (R)<br>7        | giallo<br>7-pin (L)<br>7         |



Z

|          | 1                                     | 2                        | 3                     | 4                         | 5                       | 6                         | 7                       | 8                    | 9                     | 10                     | 11                   | 12                      | 13                          | 14                             | 15                           |
|----------|---------------------------------------|--------------------------|-----------------------|---------------------------|-------------------------|---------------------------|-------------------------|----------------------|-----------------------|------------------------|----------------------|-------------------------|-----------------------------|--------------------------------|------------------------------|
|          | L                                     | R                        | 54G                   | 31                        | 31                      | 31                        | 58L                     | 58L                  | 58R                   | 58R                    | 54                   | RFL                     |                             |                                |                              |
|          | Suuntavil<br>kku vas.                 | Suuntavil<br>kku oik.    | Takasumu-<br>valo     | Maadoitus                 | Maadoitus               | Maadoitus                 | Perävalo<br>vas.        | Perävalo<br>vas.     | Perävalo<br>oik.      | Perävalo<br>oik.       | Jarruvalo            | Peruutus-<br>valo       |                             |                                |                              |
| <b>A</b> | Johdon väri<br>Liitäntä<br>PIN-numero |                          |                       |                           |                         |                           |                         |                      |                       |                        |                      |                         | harmaa<br>15-pin<br>10      | valk./sininen<br>15-pin<br>12  | valk./vihreä<br>15-pin<br>14 |
| <b>B</b> | Johdon väri<br>Liitäntä<br>PIN-numero |                          |                       | valkoinen<br>SML (R)<br>1 |                         |                           |                         |                      |                       | ruskea<br>SML (R)<br>2 |                      | pinkki<br>15-pin<br>8   |                             |                                |                              |
|          | Silta AB-CD                           | ✓                        | ✓                     | ✓                         | ✓                       | ✓                         | ✓                       | ✓                    | ✓                     | ✓                      | ✓                    | ×                       | ×                           | ×                              | ×                            |
| <b>C</b> | Johdon väri<br>Liitäntä<br>PIN-numero |                          |                       | valkoinen<br>15-pin<br>4  | valkoinen<br>Silta<br>1 | valkoinen<br>SML (L)<br>1 | musta<br>SML (L)<br>2   | musta<br>15-pin<br>5 | ruskea<br>15-pin<br>6 |                        |                      | oranssi<br>15-pin<br>9  | valk./musta<br>15-pin<br>11 | valk./punainen<br>15-pin<br>13 |                              |
| <b>D</b> | Johdon väri<br>Liitäntä<br>PIN-numero | keltainen<br>15-pin<br>1 | vihreä<br>15-pin<br>2 | sininen<br>15-pin<br>3    | valkoinen<br>Silta<br>2 | valkoinen<br>Silta<br>2   | valkoinen<br>Silta<br>1 | musta<br>Silta<br>3  | musta<br>Silta<br>3   | ruskea<br>Silta<br>4   | ruskea<br>Silta<br>4 | punainen<br>15-pin<br>7 |                             |                                | valk./ruskea<br>15-pin<br>15 |



Y

|          | 15                                    | 14 | 13 | 12  | 11                         | 10                       | 9                      | 8                       | 7                     | 6                         | 5                           | 4                           | 3                         | 2                        | 1                           |
|----------|---------------------------------------|----|----|---|----------------------------|--------------------------|------------------------|-------------------------|-----------------------|---------------------------|-----------------------------|-----------------------------|---------------------------|--------------------------|-----------------------------|
|          |                                       |    |    | RFL   | 54                         | 58R                      | 58R                    | 58L                     | 58L                   | 31                        | 31                          | 31                          | 54G                       | R                        | L                           |
|          |                                       |    |    | Peruutus-<br>valo<br>pinkki<br>7-pin (R)<br>4 | Jarru-<br>valo             | Perävalo<br>oik.         | Perävalo<br>oik.       | Perävalo<br>vas.        | Perävalo<br>vas.      | Maadoitus                 | Maadoitus                   | Maadoitus                   | Takasumu-<br>valo         | Suuntavilkku<br>oik.     | Suuntavilkku<br>vas.        |
| <b>A</b> | Johdon väri<br>Liitäntä<br>PIN-numero |    |    |   |                            |                          |                        |                         |                       |                           |                             |                             |                           |                          |                             |
| <b>B</b> | Johdon väri<br>Liitäntä<br>PIN-numero |    |    | pinkki<br>7-pin (L)<br>4                      |                            |                          |                        |                         |                       |                           |                             |                             |                           |                          |                             |
|          | Silta AB-CD                           | ×  | ×  | ×   | ×                          | ✓                        | ✓                      | ✓                       | ✓                     | ✓                         | ✓                           | ✓                           | ✓                         | ✓                        | ✓                           |
| <b>C</b> | Johdon väri<br>Liitäntä<br>PIN-numero |    |    |   | punainen<br>7-pin (R)<br>2 | ruskea<br>7-pin (L)<br>5 | ruskea<br>KZL (R)<br>2 | musta<br>7-pin (R)<br>5 | musta<br>KZL (L)<br>2 | valkoinen<br>KZL (L)<br>1 | valkoinen<br>7-pin (L)<br>1 | valkoinen<br>7-pin (R)<br>1 | sininen<br>7-pin (R)<br>6 |                          |                             |
| <b>D</b> | Johdon väri<br>Liitäntä<br>PIN-numero |    |    |   | punainen<br>7-pin (L)<br>2 | ruskea<br>7-pin (R)<br>3 | ruskea<br>URL (R)<br>2 | musta<br>7-pin (L)<br>3 | musta<br>URL (L)<br>2 | valkoinen<br>URL (L)<br>1 | valkoinen<br>URL (R)<br>1   | valkoinen<br>KZL (R)<br>1   | sininen<br>7-pin (L)<br>6 | vihreä<br>7-pin (R)<br>7 | keltainen<br>7-pin (L)<br>7 |



