

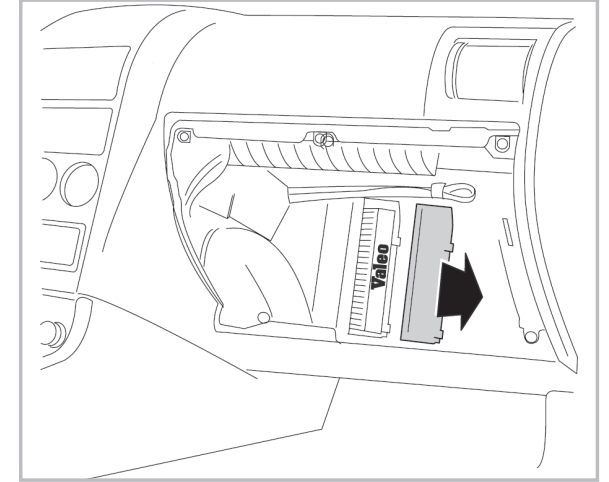
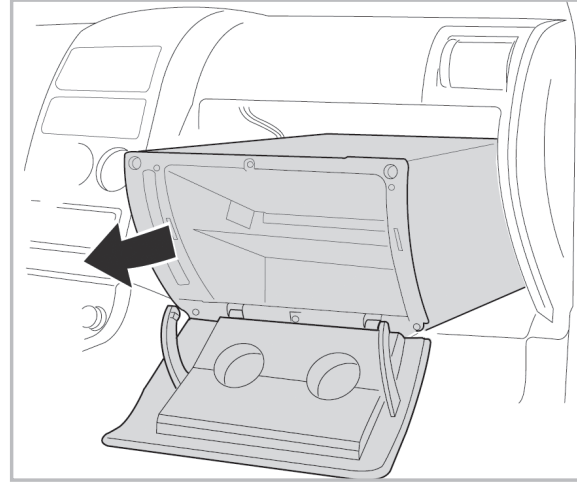
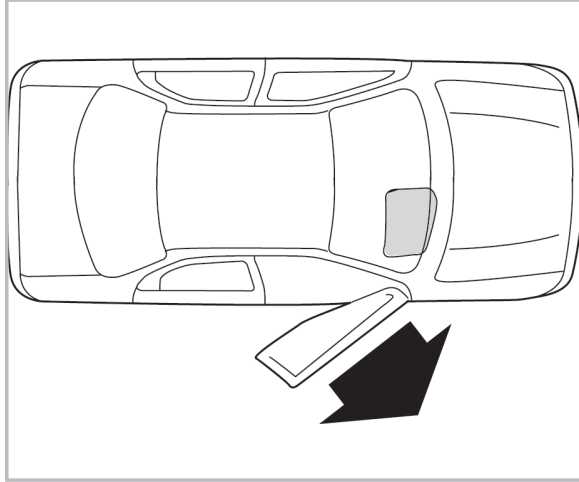


FOR
CHEVROLET CRUZE A/C+/- (03/09 >)
OPEL INSIGNIA A/C+/- (01/09 >) / MERIVA A/C+/- (06/10 >)

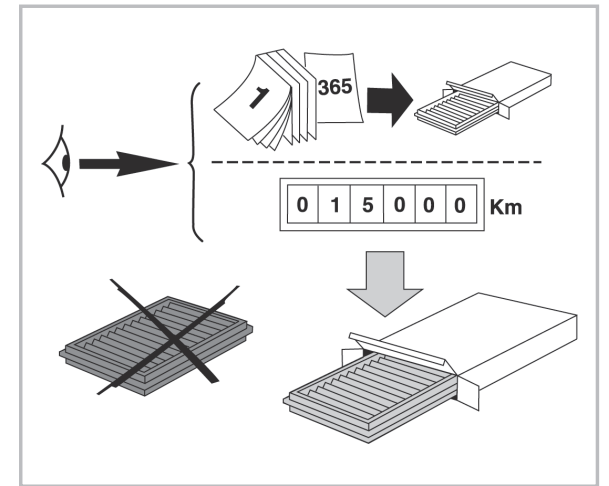
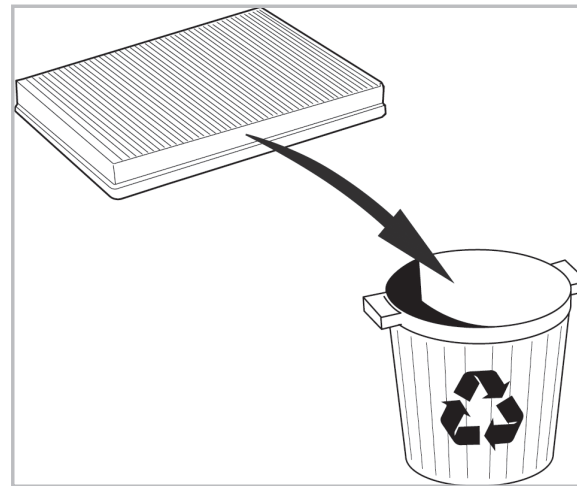
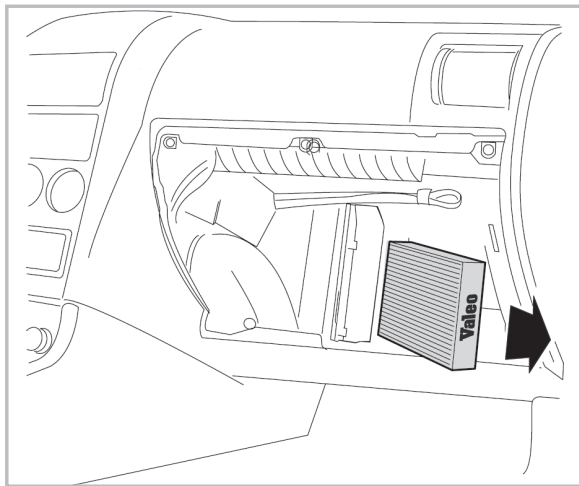
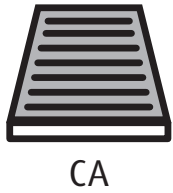


PROTECT

combined with
 active carbon



715659
 FH342



**WANT TO
 KNOW MORE?**



www.valeo-techassist.com



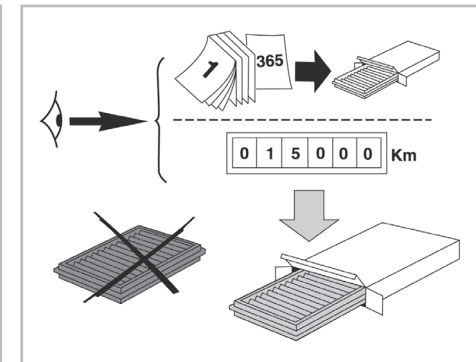
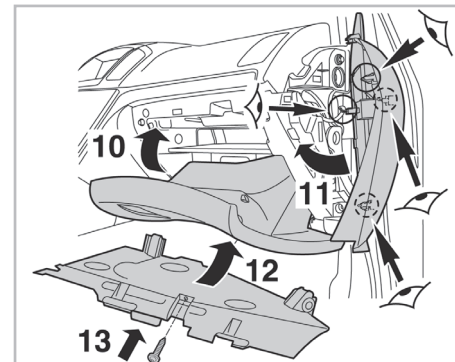
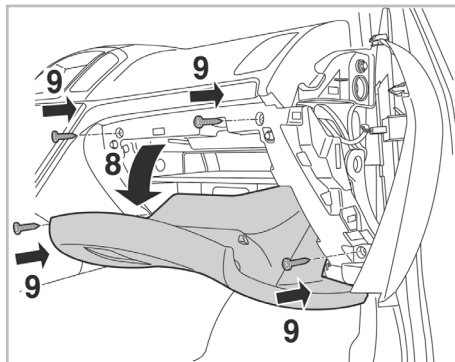
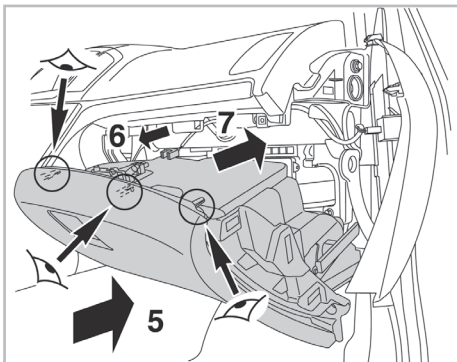
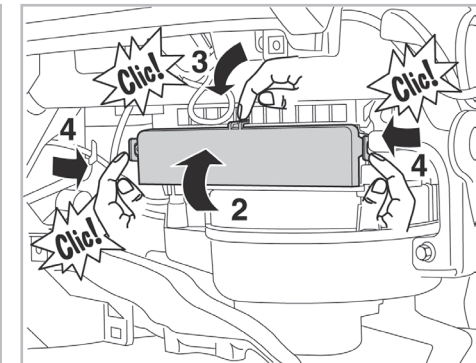
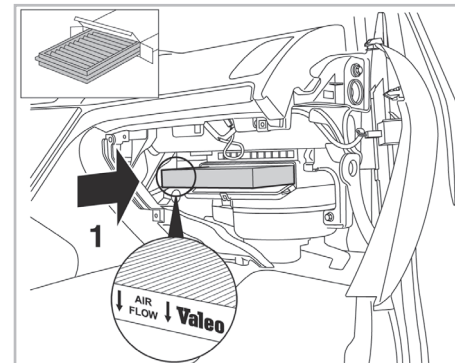
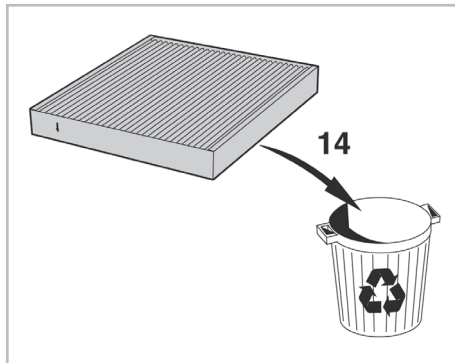
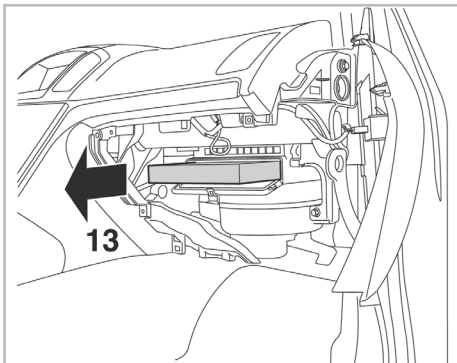
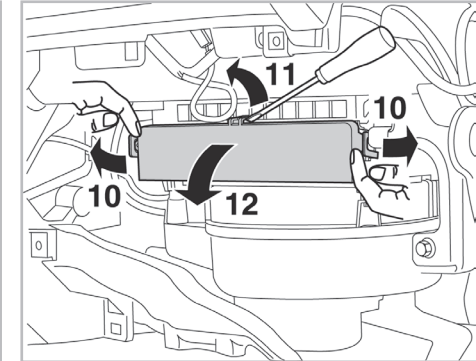
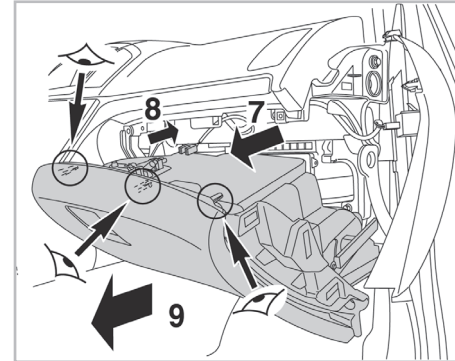
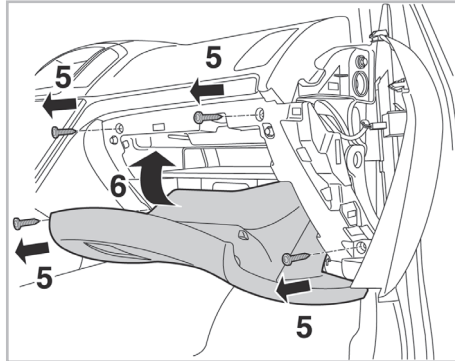
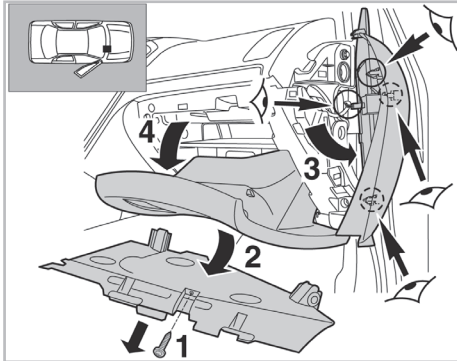
PROTECT

combined with active carbon



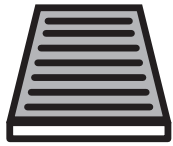
FOR
OPEL

ASTRA J A/C+/- (11/09 >)



715659

FH342



CA

WANT TO
KNOW MORE?



www.valeo-techassist.com

Valeo Service - Société par Actions Simplifiée - Capital de 12 900 000 € - 70, rue Pleyel, 93285 Saint-Denis cedex - France - B 306 486 408 RCS Bobigny