



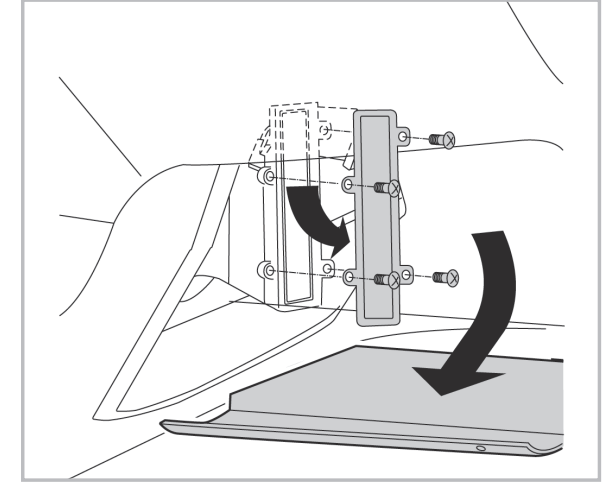
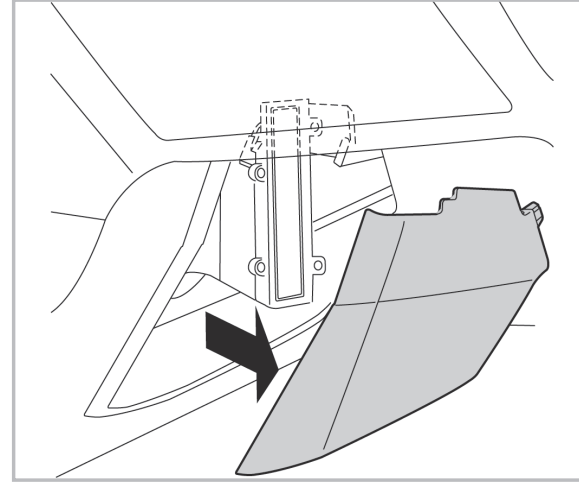
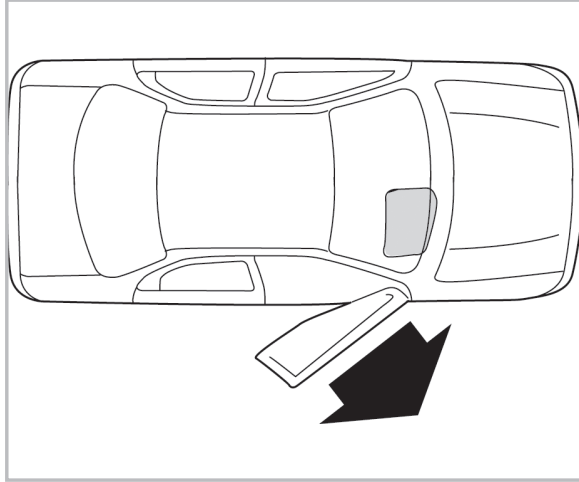
FOR
BMW
MINI

I3 (09/13 >) / 2 ACTIVE TOURER (F45) (08/14 >)
MINI III (F55/F56) (02/14 >)

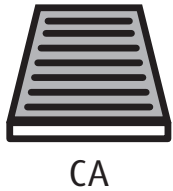


PROTECT

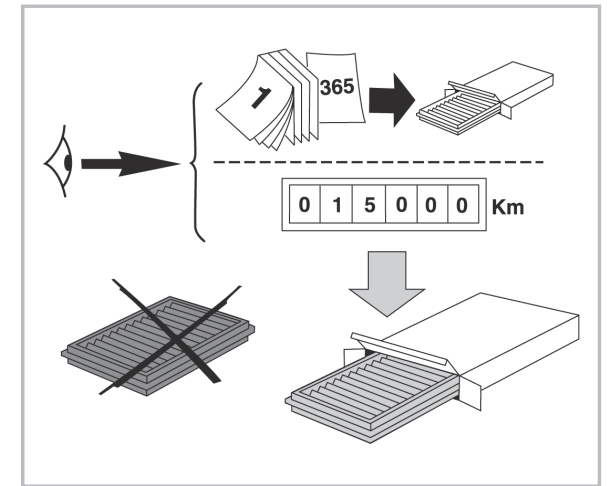
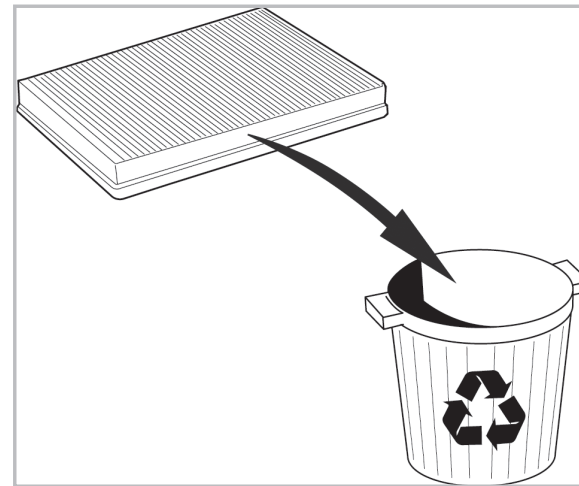
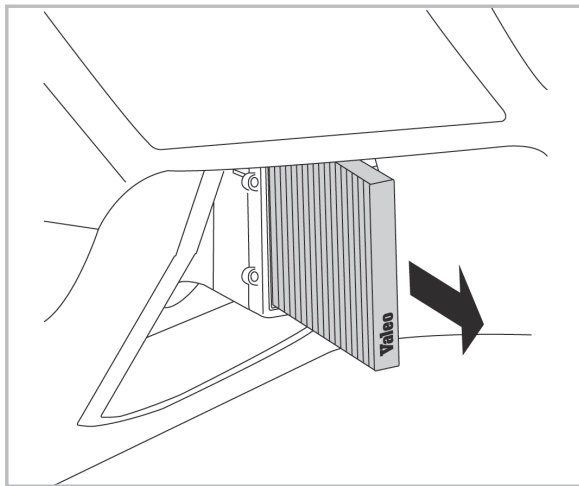
combined with
active carbon



715811
FH929



CA



**WANT TO
KNOW MORE?**



www.valeo-techassist.com



FOR
MINI

MINI II (R55/R56/R57/R58/R59/R60/R61) (09/06 > 12/13)



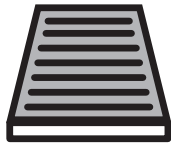
PROTECT

combined with
active carbon



715811

FH929

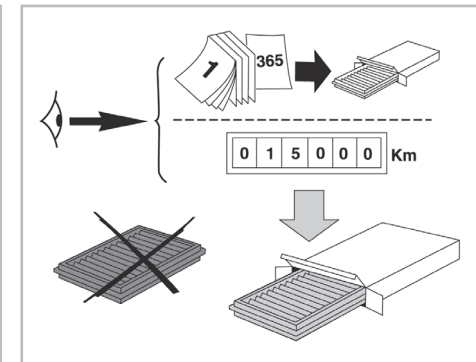
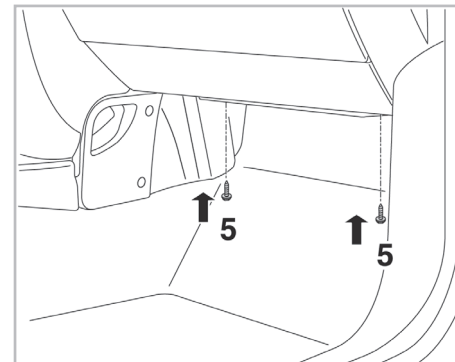
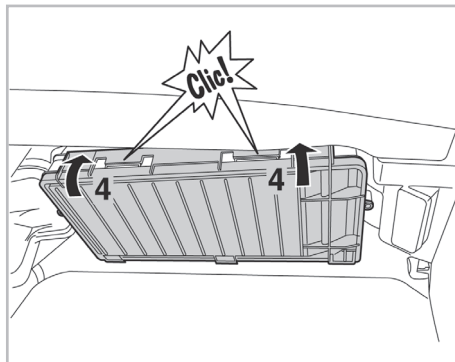
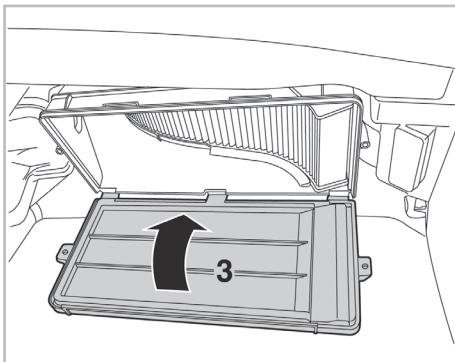
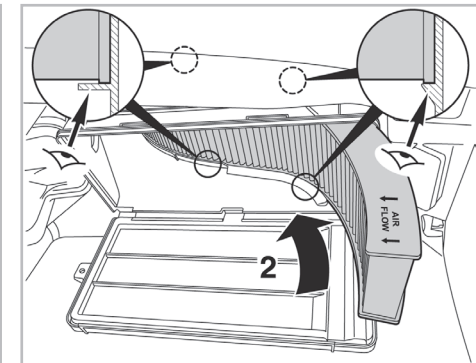
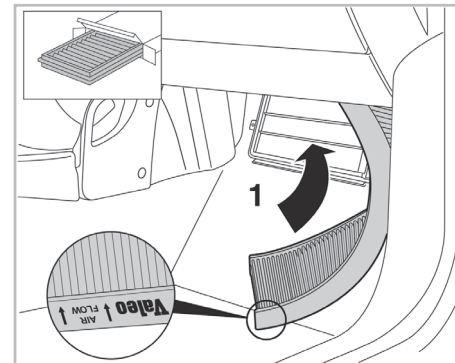
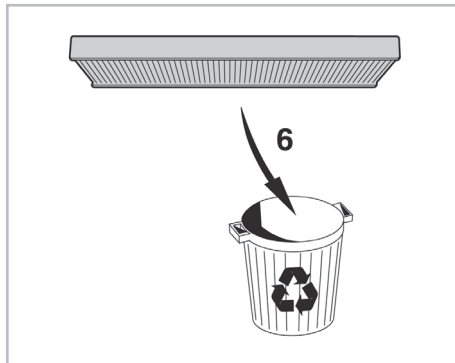
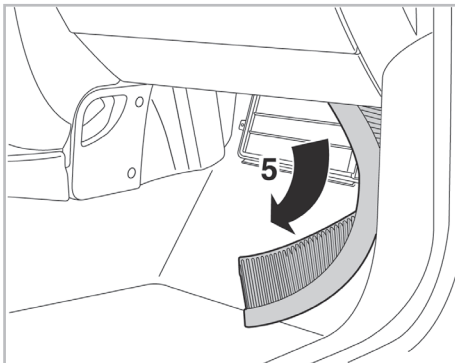
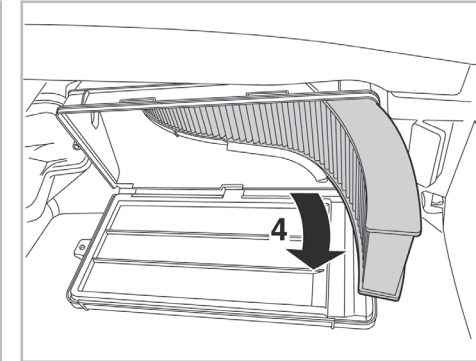
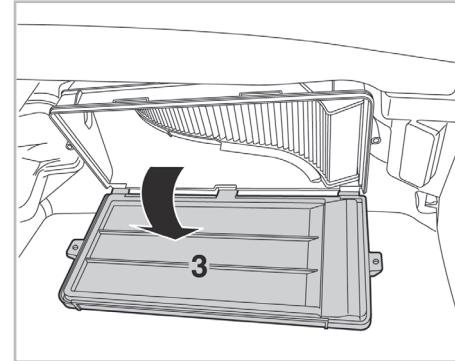
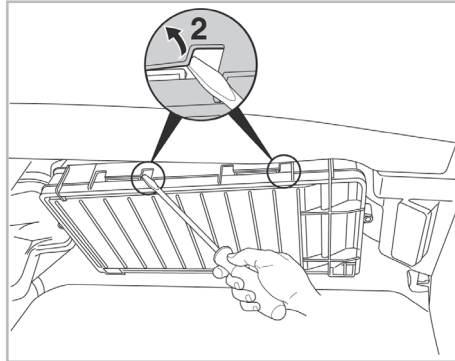
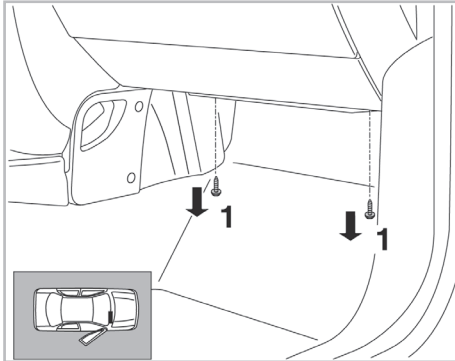


CA

WANT TO
KNOW MORE?



www.valeo-techassist.com



Valeo Service - Société par Actions Simplifiée - Capital de 12 900 000 € - 70, rue Pleyel, 93285 Saint-Denis Cedex - France - B 306 486 408 RCS Bobigny